

Soiled Dish Tables

All Models available as Right or Left returns and 16 gauge Stainless Steel.

- Tables are available in Straight, Corner, Island and Landing styles.
- Constructed of all welded 16 gauge Stainless Steel. 14 gauge available upon request.
- All seams welded, and ground smooth.
- Front and ends have a 2^{5/8}" high turn-up with a 1^{5/8}" diameter sanitary rolled edge.
- Backsplash is 5" high with a 2" 45 degree return to the wall, then up 1" against the wall for securing when required.
- The Backsplash is punched to accept plumbing on 8" centers.
- All soiled tables are equipped with an integrally mounted 20" W x 20" L x 8" D bowl, fully welded and fabricated for full metal thickness throughout the bowl. Made to accept 3^{1/2}" basket drain.

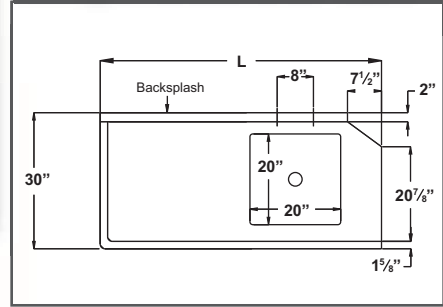
Equipment Guide

- ✓ **BEEST**
- ✓ **HEAVY DUTY USE**
- ✓ **LIFE WARRANTY AGAINST RUST**

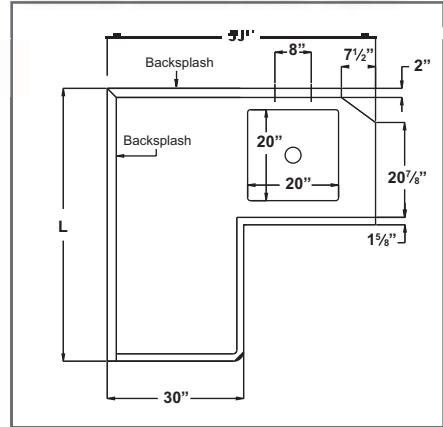
NSF

Top Views of:
(all Lefts shown)

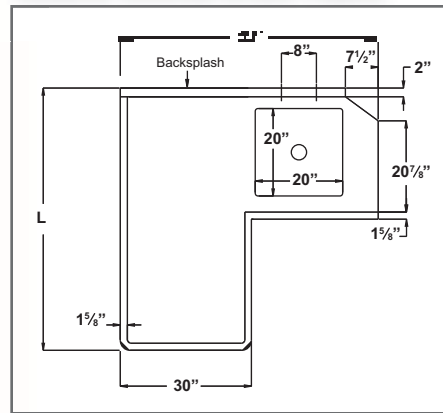
Straight Soiled Dish Table



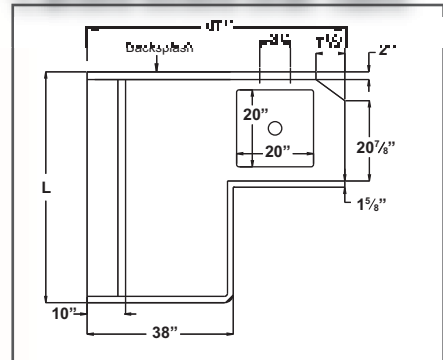
Corner Soiled Dish Table



Island Soiled Dish Table



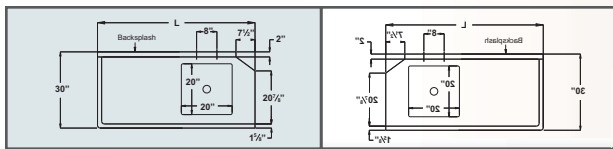
Landed Soiled Dish Table



For pricing on our line of Clean & Soiled Dish Tables or custom sizes built to your specifications, call Win-Holt at 800.444.3595 or contact your local representative for a quote.



SDT-14-S-72-R



Straight Soiled Dish Table

Left Return		Right Return		Width		Length		Long Length		Height		Weight		
Model Number	Order Number	Model Number	Order Number	(in)	(mm)	(in)	(mm)	(in)	(mm)	(in)	(mm)	(in)	(mm)	
Straight Soiled Dish Tables - 16 Gauge														
SDT-16-S-36-L	399963	SDT-16-S-36-R	401613	30	762			36	914	—	37	940	60	27
SDT-16-S-48-L	399971	SDT-16-S-48-R	401621										75	34
SDT-16-S-60-L	399980	SDT-16-S-60-R	401630										90	41
SDT-16-S-72-L	399998	SDT-16-S-72-R	401648										100	45
SDT-16-S-84-L	400004	SDT-16-S-84-R	401656										110	50
SDT-16-S-96-L	400012	SDT-16-S-96-R	401664										120	54

Freight Class: 150



Corner Soiled Dish Table

Left Return		Right Return		Width		Length		Long Length		Height		Weight		
Model Number	Order Number	Model Number	Order Number	(in)	(mm)	(in)	(mm)	(in)	(mm)	(in)	(mm)	(in)	(mm)	
Corner Soiled Dish Tables - 16 Gauge														
SDT-16-C-48-L	399744	SDT-16-C-48-R	401672	30	762	59	1,499	48	1,219	37	940		135	61
SDT-16-C-60-L	399752	SDT-16-C-60-R	401699										160	73
SDT-16-C-72-L	399761	SDT-16-C-72-R	401701										185	84
SDT-16-C-84-L	399779	SDT-16-C-84-R	401710										195	88

Freight Class: 150



Island Soiled Dish Table

Left Return		Right Return		Width		Length		Long Length		Height		Weight		
Model Number	Order Number	Model Number	Order Number	(in)	(mm)	(in)	(mm)	(in)	(mm)	(in)	(mm)	(in)	(mm)	
Island Soiled Dish Tables - 16 Gauge														
SDT-16-I-48-L	400160	SDT-16-I-48-R	401841	30	762	59	1,499	48	1,219	37	940		135	61
SDT-16-I-60-L	400178	SDT-16-I-60-R	401867										160	73
SDT-16-I-72-L	400186	SDT-16-I-72-R	401883										185	84
SDT-16-I-84-L	400194	SDT-16-I-84-R	401891										195	88
SDT-16-I-96-L	400207	SDT-16-I-96-R	401904										210	95

Freight Class: 150



Landed Soiled Dish Table

Left Return		Right Return		Width		Length		Long Length		Height		Weight		
Model Number	Order Number	Model Number	Order Number	(in)	(mm)	(in)	(mm)	(in)	(mm)	(in)	(mm)	(in)	(mm)	
Landing Soiled Dish Tables - 16 Gauge														
SDT-16-L-48-L	403205	SDT-16-L-48-R	403192	30	762	59	1,499	48	1,219	37	940		150	68
SDT-16-L-60-L	403213	SDT-16-L-60-R	403221										175	79
SDT-16-L-72-L	403248	SDT-16-L-72-R	403230										200	91
SDT-16-L-84-L	403256	SDT-16-L-84-R	403264										210	95
SDT-16-L-96-L	403281	SDT-16-L-96-R	403272										225	102

Freight Class: 150