



Founded in 1946

Project: _____

Items: _____

Quantity: _____

Approval: _____

Date: _____

Vending Merchandiser Kiosk Mobile Grab & Go Ice Carts

Winholt's Mobile Grab & Go Ice Cart has a reach-in, grab and go design to distribute fresh fruit, cold drinks, snacks and more!

Features:

- Constructed of all welded stainless steel, specifically engineered to effectively support magnetic branding and logos
- Insulated 8" deep removable ice bin with 1" drain valve. Bin holds (3) standard 12" x 20" pans (not included).
- Removable stainless steel cover with end bumpers to prevent scratching
- Includes hook to hold cover in back of the unit when not in use.
- Ergonomic handle
- (4) Lower corner bumpers
- Maneuvers easily on polyurethane casters, (2) rigid and (2) swivel with brakes.

Options:

- 18" Folding shelf for extra space
- Heavy duty 5" x 2" polyurethane casters, (2) rigid and (2) swivel with brakes.

Benefits:

- Great for refrigerated items such as bottled water, soda cans, and sports drinks.
- Mobile design allows for easy relocating or constant transportation during an event
- Insulated design keeps food cold and fresh
- Folding shelf option allows extra space to hold product when needed, while folding to allow for easy storing
- Heavy duty caster option allows for use in outdoor events
- Customizable by adding magnetic branding (not included)
- Sanitary and easy to clean
- Safely and efficiently transport product.

SS-BC-2748-INSULIB-FS18

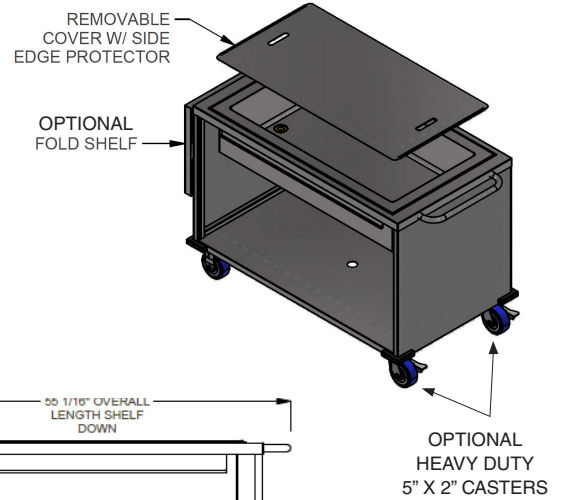
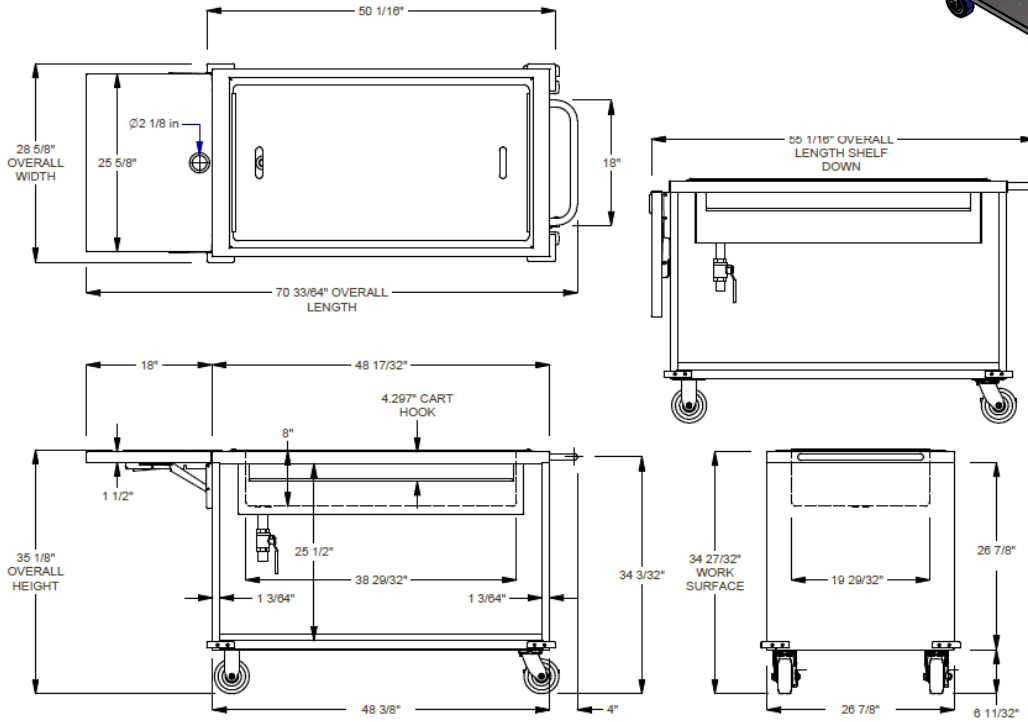




Vending Merchandiser Kiosk Mobile Grab & Go Ice Carts

Founded in 1946

SS-BC-2748-INSULIB-FS18-HDC Model Drawings



| Model Number | Order# | Overall Dimensions | | | Approx. Ship Wt (lb) |
|---|---------|--------------------|-------------|-------------|----------------------|
| | | Width (in) | Length (in) | Height (in) | |
| 5 x 1.25" Casters, No Folding Shelf (BASE MODEL) | | | | | |
| SS-BC-2748-INSULIB | 1153527 | 28.6 | 53.2 | 34.75 | 198 |
| 5 x 2" Heavy Duty Casters & 18" Folding Shelf | | | | | |
| SS-BC-2748-INSULIB-FS18-HDC | 1153530 | 28.6 | 70.5 | 35.1 | 228 |
| 5 x 1.25" Standard Casters & 18" Folding Shelf | | | | | |
| SS-BC-2748-INSULIB-FS18 | 1153528 | 28.6 | 70.5 | 34.75 | 228 |
| 5 x 2" Heavy Duty Casters, No Folding Shelf | | | | | |
| SS-BC-2748-INSULIB-HDC | 1153529 | 28.6 | 53.2 | 35.1 | 202 |

Freight Class: 250



In line with our policy to continually improve our products, Winholt reserves the right to change materials and specifications without notice.